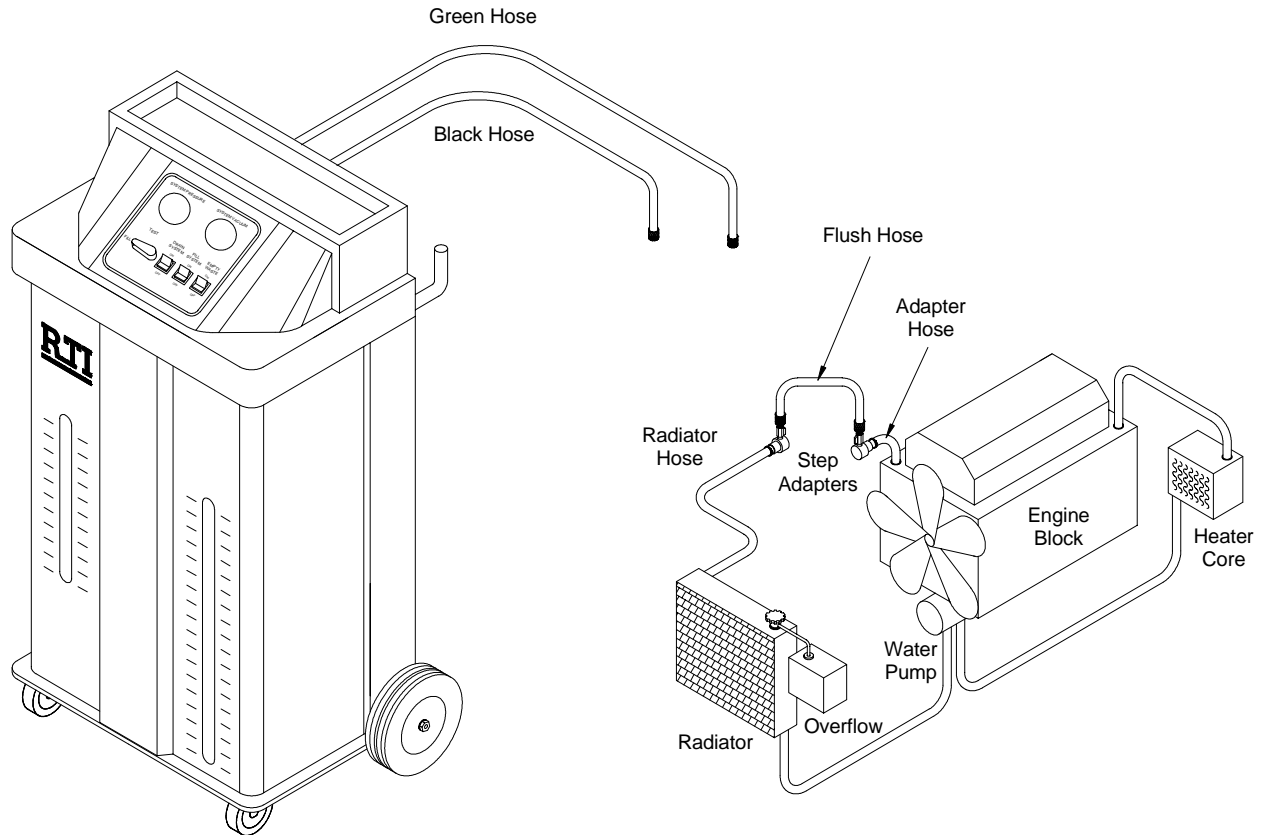


Coolant Flush Hose

Kit Part Number: 370-80033-00



The illustration shows the Coolant Flush Hose installed on the vehicle coolant system.

The radiator hose was disconnected from the engine and the Adapter Hose and Step Adapters were installed. The quick connect couplers on each end of the Flush Hose were then connected to the two Step Adapters.

Flush chemicals can be added to the cooling system and the engine run to circulate the flushing chemicals.

The Flush Hose can be disconnected from the Step Adapters with minimal mess when flushing is complete.

The RTI Coolant Machine is then connected to the two Step Adapters and a coolant exchange process is performed.

570-80232-00